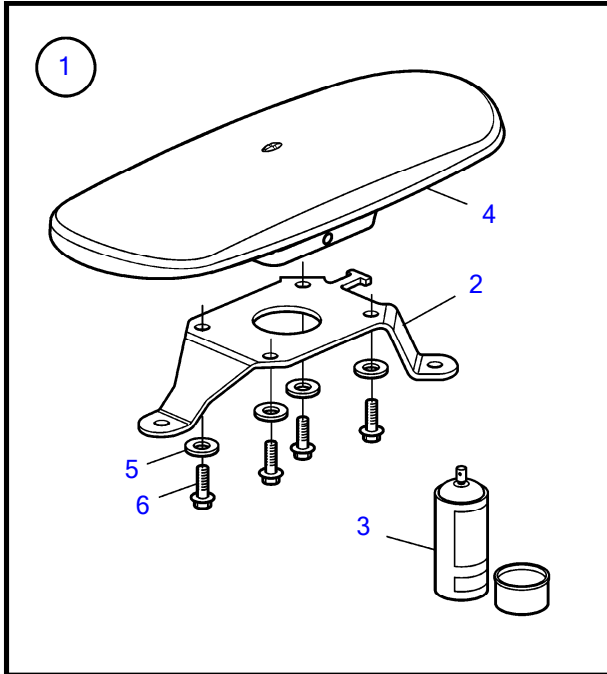


D8A1-A MP, D8A2-A MP, D8A3-A MP, D8A4-A MP







**7**

**8**

**9**

**WARNING**  
When DPS is in Use Boat is Underway



 <p>Maintain proper LOOKOUT</p>	 <p>STAY OUT of water - spinning propellers.</p>
 <p>HOLD ON to prevent falls - boat can move suddenly</p>	 <p>READ the owner's manual</p>

Failure to observe warnings may result in SEVERE INJURY or DEATH.

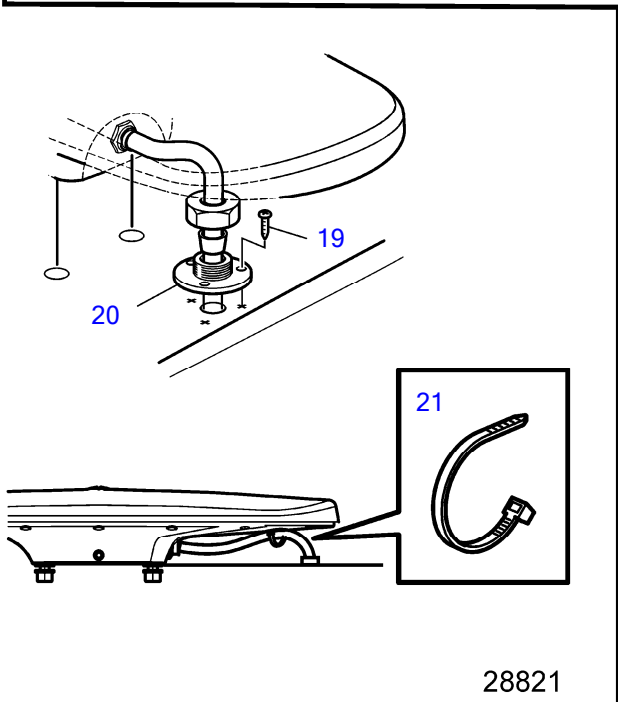
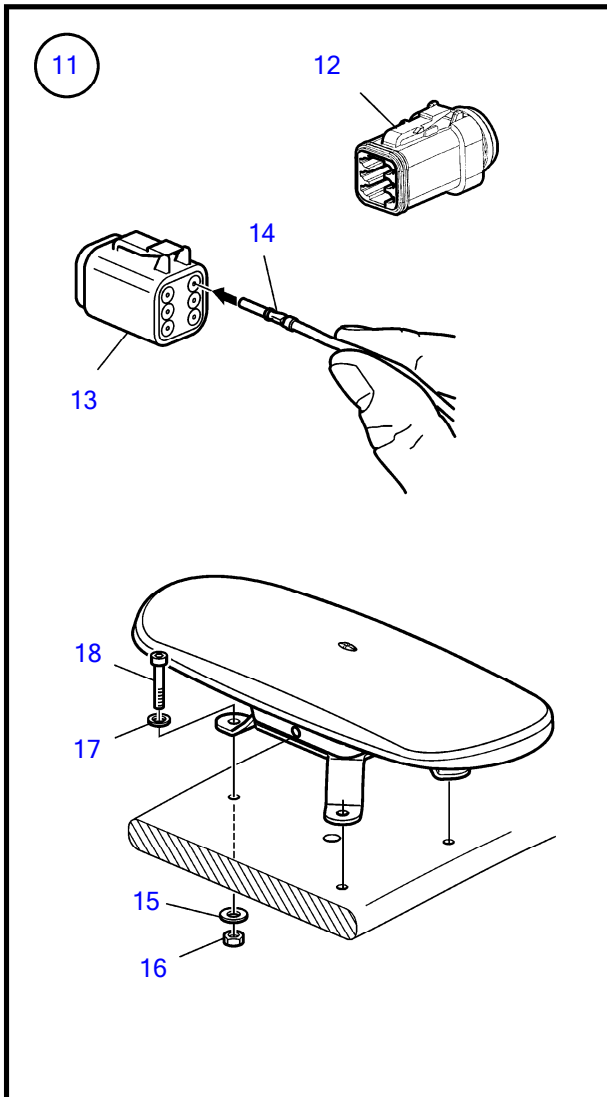
**9**

**WARNING**

	<p>Avoid severe injury or death due to drowning, falls or propeller contact.</p> <p>Do not stay on the swim platform when engine is running.</p> <p>Propellers can spin without warning while engines are running.</p>
	<p>Do not enter the water while engines are running.</p> <p>Boat can move suddenly.</p> <p>Hold on while on the swim platform.</p>

**10**



28821

D8A1-A MP, D8A2-A MP, D8A3-A MP, D8A4-A MP

REF	PART NO.	QTY	DESCRIPTION	SEE SEC.	NOTES
1	22721733	1	Antenna		
			• Bulletin P-97-9-109	P-97-9-109-EN	RETROFIT OF DYNAMIC POSITIONING SYSTEM
1		1	• Antenna		
2	22688297	1	• • Antenna base		
3	9510227	X	• • Anti-rust agent		
4	(22658168)	1	• • Sensor		Obsolete part
5	941670	8	• • Washer		
6	994138	5	• • Hex. socket screw		
7		1	• Publication set		
8	21318999	1	• • Decal		
9	21325536	1	• • Label		
10	21231837	1	• • Converter		
11		1	• Small parts kit		
12	874961	1	• • Wedge		
13	874960	1	• • Housing		
14	8397660	2	• • Cable seal		
15	941670	3	• • Washer		
16	946330	3	• • Hexagon nut		
17	993419	3	• • Washer		
18	961314	3	• • Cross recessed screw		
19	994153	3	• • Hex. socket screw		
20	21303890	1	• • Cable grommet		
21	948211	2	• • Cable tie		